



DATE CODE AREA:

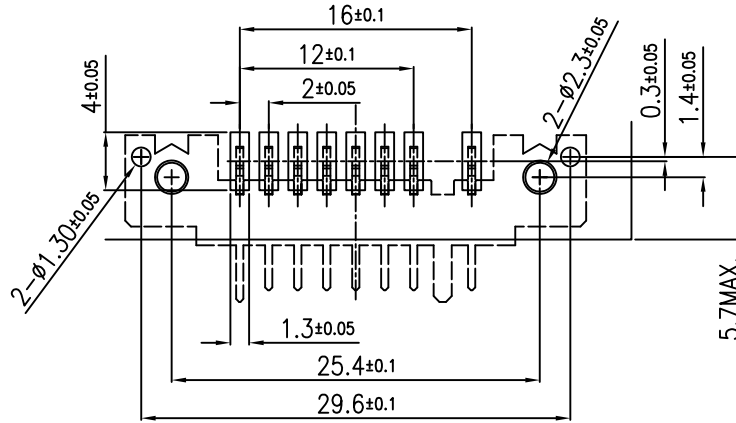
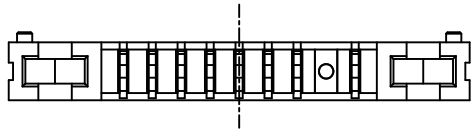
(文字高度:1.2mm)

年份代碼(如09代表2009年等)

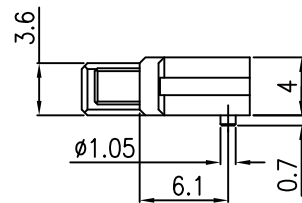
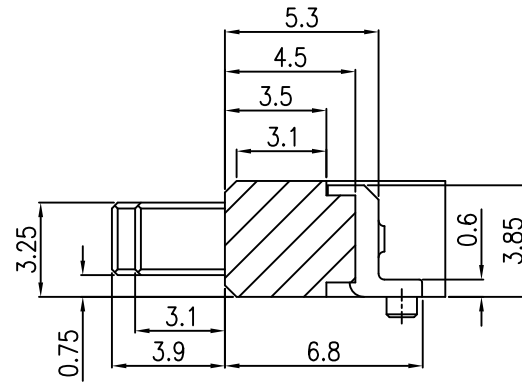
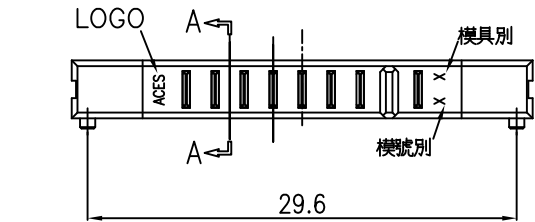
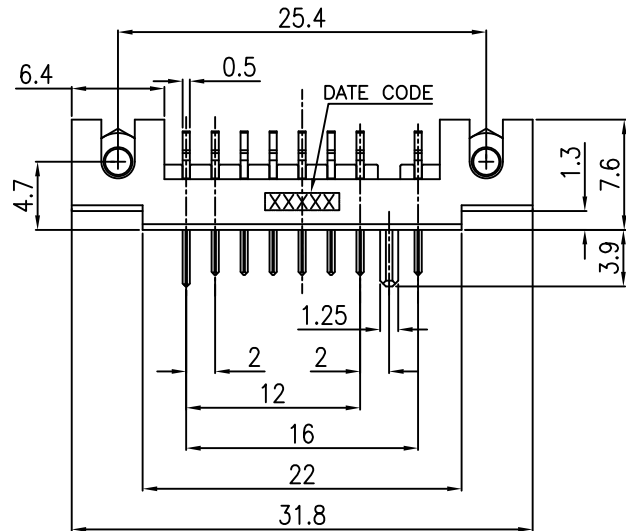
月別代碼(如A代表一月/B代表二月)

日期代碼(如18代表18號等)

09D18



RECOMMENDED PCB LAYOUT
TOLERANCE ±0.05



NOTES:

- MATERIAL:
 - HOUSING: THERMOPLASTIC, HIGH TEMP., UL94V-0; COLOR:BLACK.
 - TERMINAL: COPPER ALLOY.
 - NUT: IRON.
- FINISH:
 - TERMINAL: 80u" MIN. NICKEL UNDERPLATING OVER ALL,5u" GOLD CONTACT AREA, GOLD FLASH ON SOLDER AREA.
 - SCREW: Zn-PATED OVER ALL.
- REFLOW SOLDER CAPABLE TO 260°C PER ACES SPEC.
- WAVE SOLDER CAPABLE TO 260°C PER ACES SPEC.
- SPEC. PLS. REFER TO PS-50978-XXXXX-XXX.
- PACKAGE PLS. REFER TO 50978-XXXXX-TRP.
- PART NUMBER

50978-XXX X X-XXX

CKTS:008

PACKING:

0:TAPE & REEL

1:TUBE

PLATING:

B:5u"MIN GLOD ON CONTACT AREA
GOLD FLASH ON SOLDER AREA

XXX	COLOR	MATERIAL	HF
001	BLACK	HF PLASTIC	Y

一般公差 TOLERANCES X ±0.5 XX ±0.15 X ±0.25 XXX ±0.10 ANGLES ±2°		宏致電子股份有限公司 Aces Electronic Co.,Ltd.	
檢驗尺寸標示 SYMBOLS ⊕ ⊕ INDICATE CLASSIFICATION DIMENSION ⊕ MARK IS CRITICAL DIM. ⊕ MARK IS MAJOR DIM.		品名 (TITLE) 2.0mm BATTERY CONN. R/A SMT MALE TYPE H=4.0mm 圖號 (DWG.NO) 50978-XXXXX-XXX	
表面處理 (FINISH)		製圖 (DR) ANDREW 10/06/22 審核 (CHKD) WGCH 核准 (APPD) JASON	
比例 (SCALE) 單位 (UNITS)		張數 (SHEET) 1 OF 1 尺寸 (SIZE) A4 版 (REV) B	
1:1 mm			